

LUMAX®

LFL400NP	PROJEKTOR NOWA PRO	400W	60000lm	5700K	IP66
LFL500NP	PROJEKTOR NOWA PRO	500W	75000lm	5700K	IP66
LFL800NP	PROJEKTOR NOWA PRO	800W	120000lm	5700K	IP66
LFL1000NP	PROJEKTOR NOWA PRO	1000W	150000lm	5700K	IP66
LFL1200NP	PROJEKTOR NOWA PRO	1200W	180000lm	5700K	IP66
LFL1500NP	PROJEKTOR NOWA PRO	1500W	225000lm	5700K	IP66
LFL2000NP	PROJEKTOR NOWA PRO	2000W	360000lm	5700K	IP66



NOVA PRO

500W/800W/1000W/1200W/1500W/2000W

IP66

IK10

5 YEARS WARRANTY



NOVA PRO

A new generation of Product, light weight, small size, small wind resistance, high brightness, wide illumination range and adjustable beam angle. The power supply can be built-in/external. It is easy to install and has a handle. The waterproof performance of the lamp is IP66, suitable for outdoor large venues such as stadiums, docks and airports;

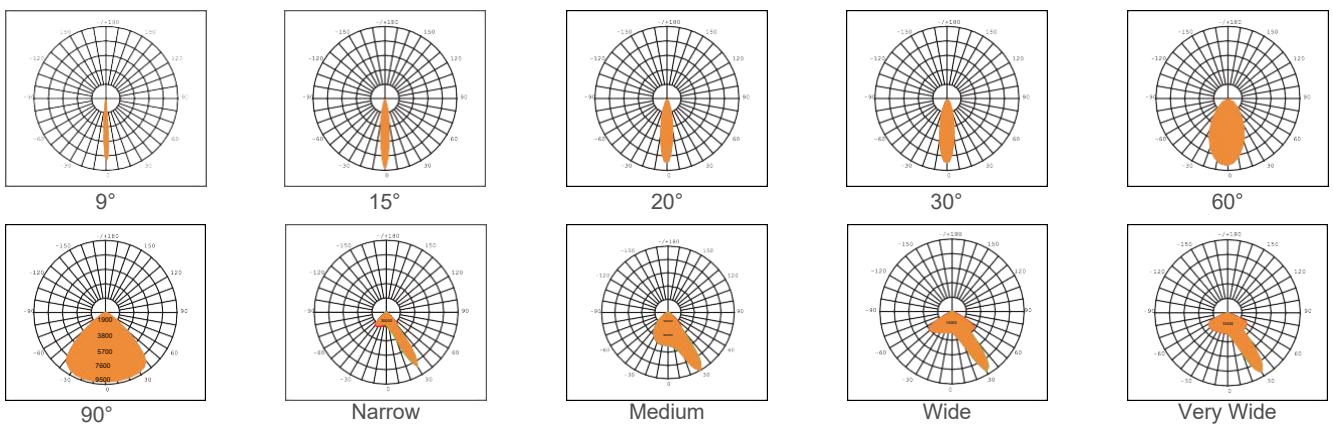
The light is designed by our own R&D teams. Various tests like salt spray test, waterproof test, and vibration test have been done to ensure its excellent waterproof performance, safe packing, and safety during transportation.

PRODUCT ADVANTAGES

- Small size and low wind resistance;
- Products are equipped with hoists for easy installation;
- Easy external wiring;
- Intelligent dimming;
- The power supply can be built in/outside;
- Low transportation costs;

PHOTOMETRIC DIAGRAMS

Optional





Uniform illumination with various lens

Asymmetrical and Symmetrical Lens, Full Coverage Of Light Types, Uniform Illumination Of The Illuminated Area



Bracket Stepless Adjustment

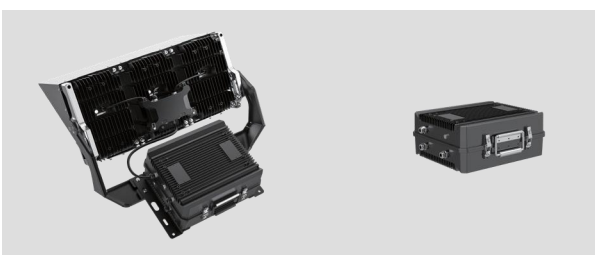
Stepless adjustment is more suitable for the angle requirements of different applications

POWER SUPPLY BUILT-IN/EXTERNAL

BUILT-IN POWER SUPPLY



EXTERNAL POWER SUPPLY



LENS HOOD ANTI-GLARE



ALUMINA LASER LOGO, HIGH-LIGHTING BRAND HIGHLIGHTS



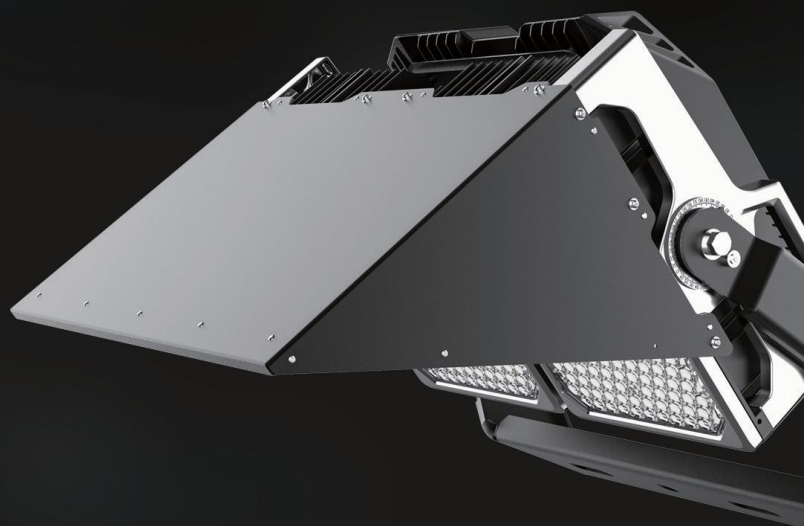
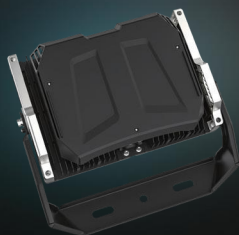
Handle Design

Beautiful appearance, easy installation and more convenient



1070 pure aluminum material

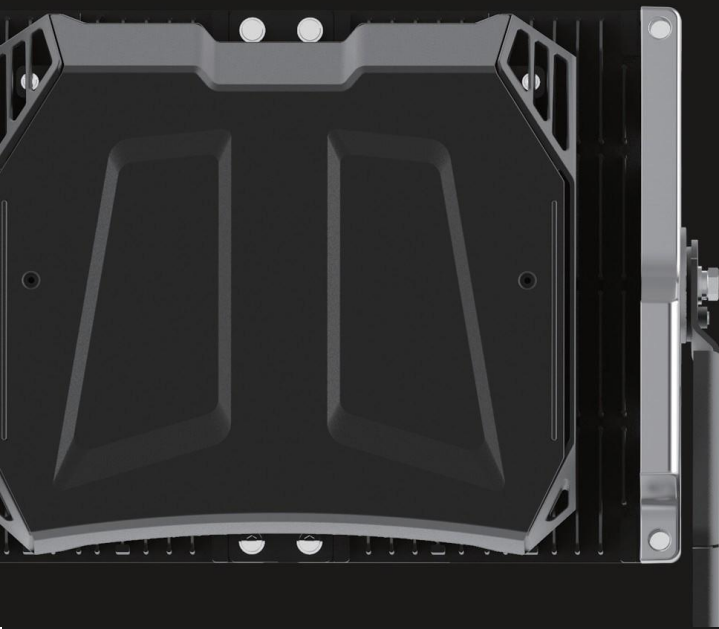
1070 pure aluminum design, super heat conduction and heat dissipation effect



**DIE-CASTING FACE FRAME, SHIELDING SCREWS,
ENHANCING HIGH-END VISUAL SENSE**

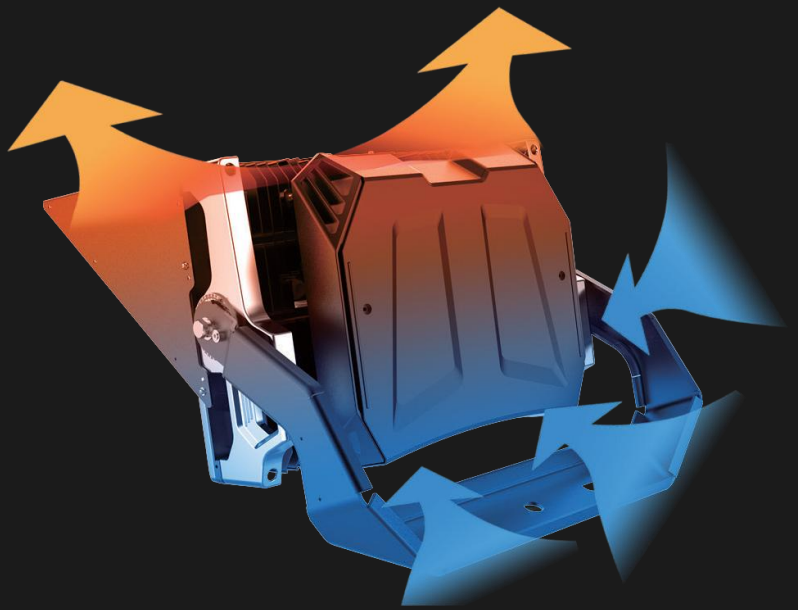
**AIR CONVECTION DESIGN IN POWER
SUPPLY CHAMBER**





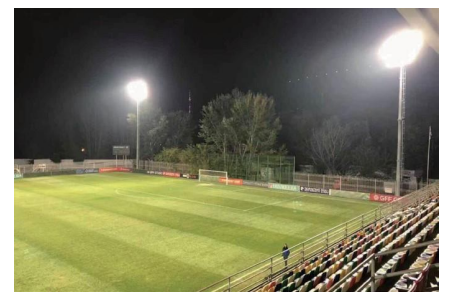
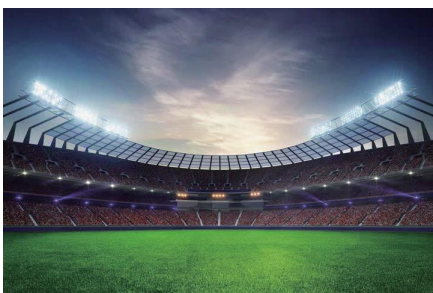
Longer life with breathing valve lamp body

Each Module Is Equipped With A Breathing Valve To Ensure The Internal And External Air Pressure Is Balanced And Extend The Life Of The Entire Lamp



Stronger Heat Dissipation

Applications



NOVA PRO

LFL500FL10

Built-in power supply

Specifications



Optical Data

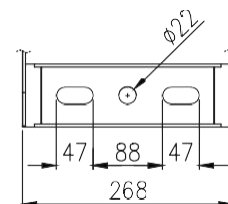
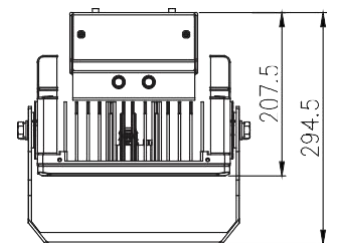
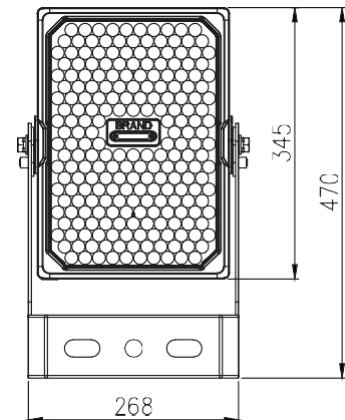
Wattage	500W		
LED Type	Lumileds 5050	Samsung 3535	
Efficiency	150LM/W	130LM/W	120LM/W
Luminous Flux	75000Lm	65000Lm	60000Lm
Beam Angle	30°/60°/90°	15°/20°/Narrow/Medium/Wide/Very Wide	9°
CCT	4000K/5000K/5700K		
CRI	>70Ra		
System Efficiency	>90%		

Electrical Data

PowerSupply	INVENTRONICS/SOSEN
Input Voltage	AC100-277V
Power Frequency	50/60Hz
Power Efficiency	>92%
Power Factor	0.95
Total Harmonic Distortion	<15%
Operating Temp	-30°C ~ 50°C

Others

IP	IP66
Lifetime(L70 Standard)	100,000 hours
Heat Radiator	Cold forged aluminum
Lens Material	PC
Dimension	268*470*294.5mm
Net Weight	13kg



mm

NOVA PRO

LFL800FL10

Built-in power supply

Specifications



Optical Data

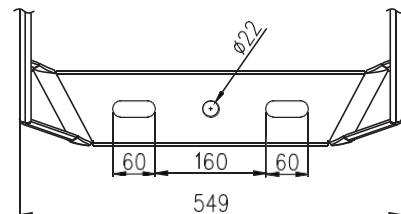
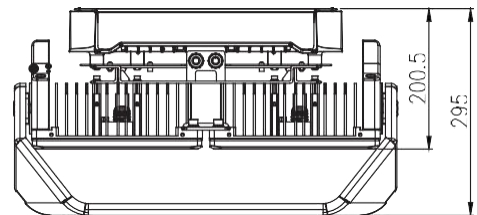
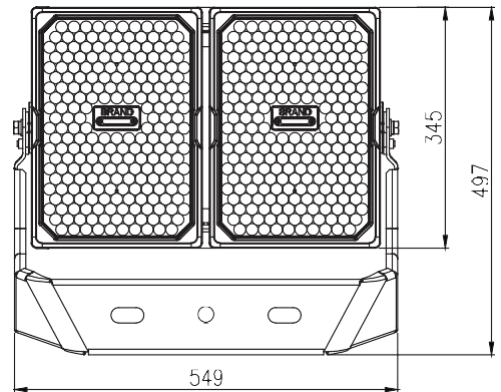
Wattage	800W		
LED Type	Lumileds 5050	Samsung 3535	
Efficiency	150LM/W	130LM/W	120LM/W
Luminous Flux	120000Lm	104000Lm	96000Lm
Beam Angle	30°/60°/90°	15°/20°/Narrow/Medium/Wide/Very Wide	9°
CCT	4000K/5000K/5700K		
CRI	>70Ra		
System Efficiency	>90%		

Electrical Data

PowerSupply	INVENTRONICS/SOSEN
Input Voltage	AC100-277V
Power Frequency	50/60Hz
Power Efficiency	>92%
Power Factor	0.95
Total Harmonic Distortion	<15%
Operating Temp	-30°C ~ 50°C

Others

IP	IP66
Lifetime(L70 Standard)	100,000 hours
Heat Radiator	Cold forged aluminum
Lens Material	PC
Dimension	549*497*295mm
Net Weight	20kg



mm

NOVA PRO

LFL1000FL10

Built-in power supply

Specifications



Optical Data

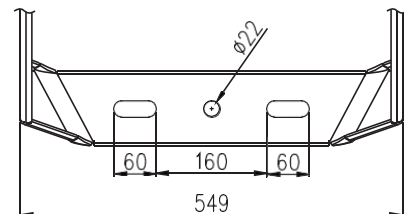
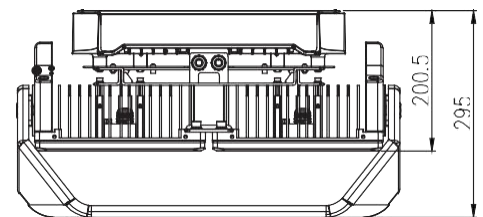
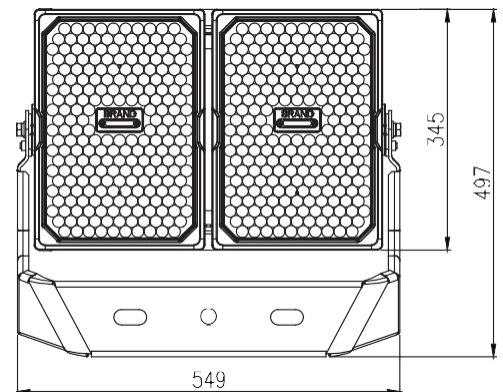
Wattage	1000W		
LED Type	Lumileds 5050	Samsung 3535	
Efficiency	150LM/W	130LM/W	120LM/W
Luminous Flux	150000Lm	130000Lm	120000Lm
Beam Angle	30°/60°/90°	15°/20°/Narrow/Medium/Wide/Very Wide	9°
CCT	4000K/5000K/5700K		
CRI	>70Ra		
System Efficiency	>90%		

Electrical Data

PowerSupply	INVENTRONICS/SOSEN
Input Voltage	AC100-277V
Power Frequency	50/60Hz
Power Efficiency	>92%
Power Factor	0.95
Total Harmonic Distortion	<15%
Operating Temp	-30°C ~ 50°C

Others

IP	IP66
Lifetime(L70 Standard)	100,000 hours
Heat Radiator	Cold forged aluminum
Lens Material	PC
Dimension	549*497*295mm
Net Weight	23kg



mm

NOVA PRO

LFL1200FL10

External power supply

Specifications



Optical Data

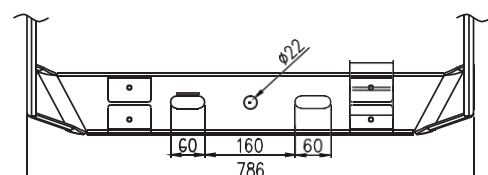
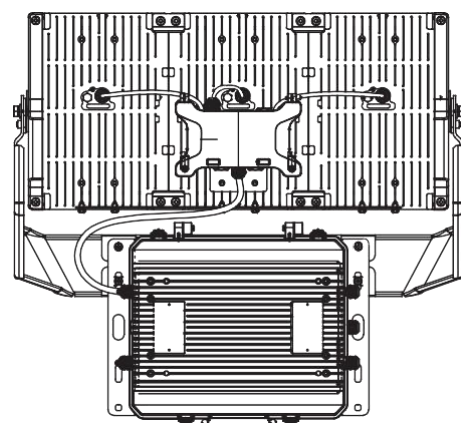
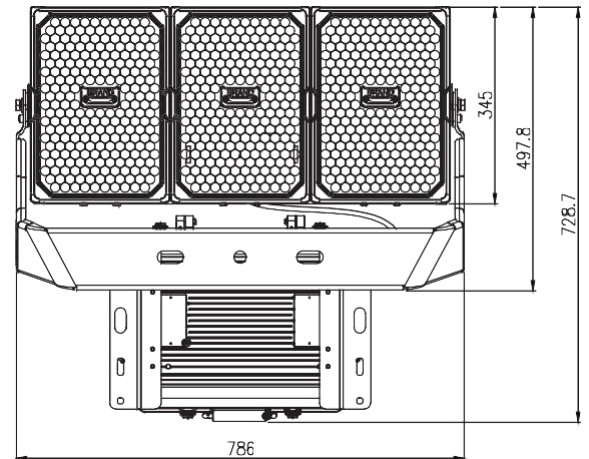
Wattage	1200W		
LED Type	Lumileds 5050	Samsung 3535	
Efficiency	150LM/W	130LM/W	120LM/W
Luminous Flux	180000Lm	156000Lm	144000Lm
Beam Angle	30°/60°/90°	15°/20°/Narrow/Medium/Wide/Very Wide	9°
CCT	4000K/5000K/5700K		
CRI	>70Ra		
System Efficiency	>90%		

Electrical Data

PowerSupply	INVENTRONICS/SOSEN
Input Voltage	AC100-277V
Power Frequency	50/60Hz
Power Efficiency	>92%
Power Factor	0.95
Total Harmonic Distortion	<15%
Operating Temp	-30°C ~ 50°C

Others

IP	IP66
Lifetime(L70 Standard)	100,000 hours
Heat Radiator	Cold forged aluminum
Lens Material	PC
Dimension	786*728.7*308mm
Net Weight	20kg+15kg(Remote Gear)



mm

NOVA PRO

LFL1500FL10

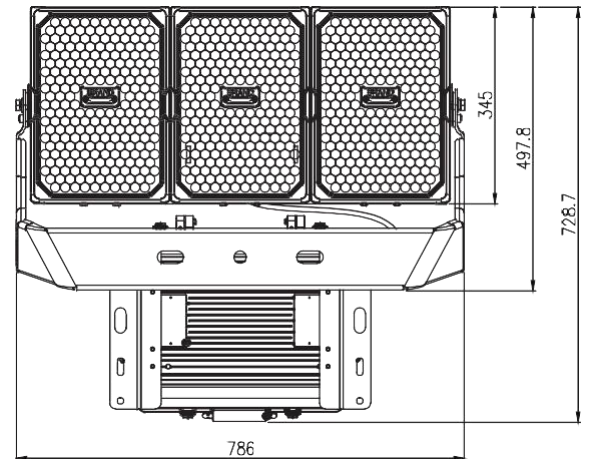
External power supply

Specifications



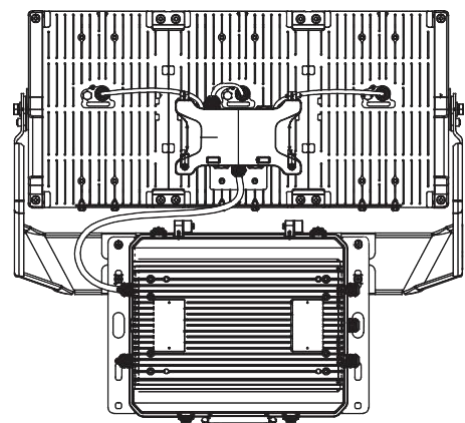
Optical Data

Wattage	1500W		
LED Type	Lumileds 5050	Samsung 3535	
Efficiency	150LM/W	130LM/W	120LM/W
Luminous Flux	225000Lm	195000Lm	180000Lm
Beam Angle	30°/60°/90°	15°/20°/Narrow/Medium/Wide/Very Wide	9°
CCT	4000K/5000K/5700K		
CRI	>70Ra		
System Efficiency	>90%		



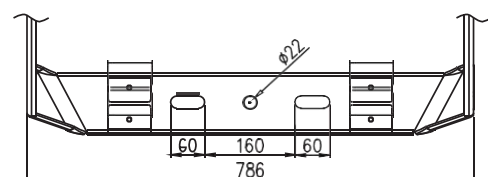
Electrical Data

PowerSupply	INVENTRONICS/SOSEN
Input Voltage	AC100-277V
Power Frequency	50/60Hz
Power Efficiency	>92%
Power Factor	0.95
Total Harmonic Distortion	<15%
Operating Temp	-30°C ~ 50°C



Others

IP	IP66
Lifetime(L70 Standard)	100,000 hours
Heat Radiator	Cold forged aluminum
Lens Material	PC
Dimension	786*728.7*308mm
Net Weight	21kg+15kg(Remote Gear)



mm

NOVA PRO

LFL2000FL10

External power supply

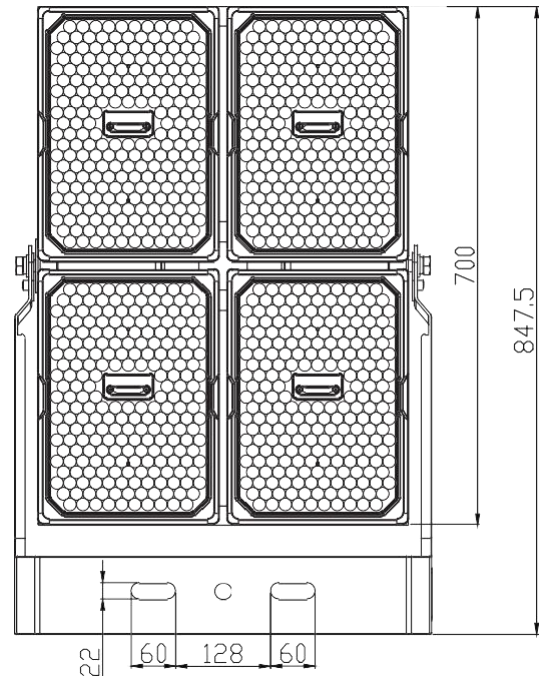
Specifications



Optical Data

Wattage	2000W		
LED Type	Lumileds 5050	Samsung 3535	
Efficiency	150LM/W	130LM/W	120LM/W
Luminous Flux	225000Lm	195000Lm	240000Lm
Beam Angle	30°/60°/90°	15°/20°/Narrow/Medium/Wide/Very Wide	9°
CCT	4000K/5000K/5700K		
CRI	>70Ra		
System Efficiency	>90%		

UULU

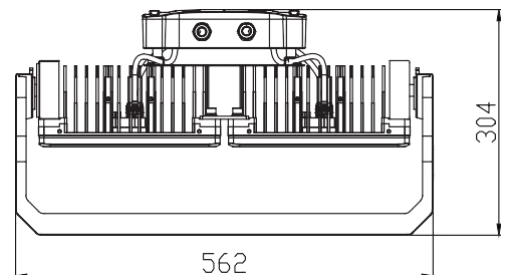


Electrical Data

PowerSupply	INVENTRONICS/SOSEN
Input Voltage	AC100-277V
Power Frequency	50/60Hz
Power Efficiency	>92%
Power Factor	0.95
Total Harmonic Distortion	<15%
Operating Temp	-30°C ~ 50°C

Others

IP	IP66
Lifetime(L70 Standard)	100,000 hours
Heat Radiator	Cold forged aluminum
Lens Material	PC
Dimension	847.5*562*304mm
Net Weight	31.5kg+17kg(Remote Gear)



LUMAX®



All given parameters fulfill ErP requirements and tolerances mentioned in regulation EU 2019/2015.



BestService Sp. z o.o.
Łopuszańska 95, 02-457 Warszawa
e-mail: lumax@bestservice.com.pl
tel. 22 863 25 55 www.lumax.pl